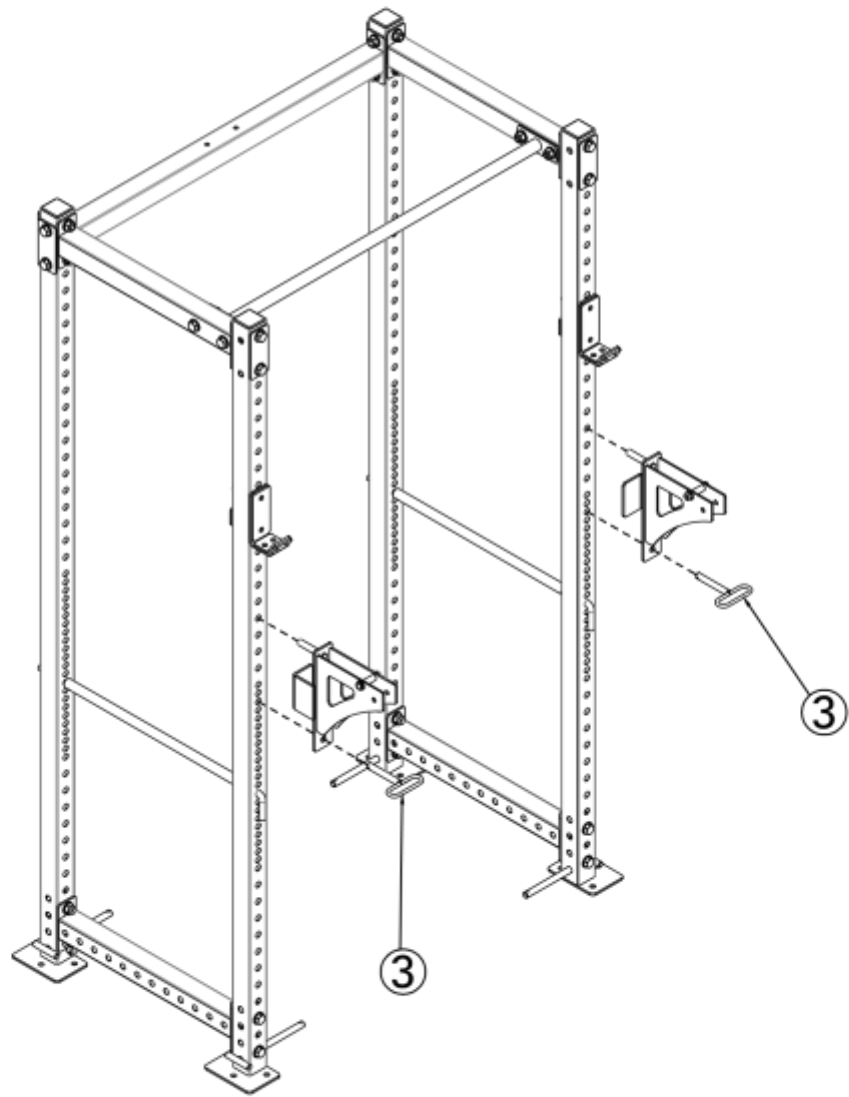
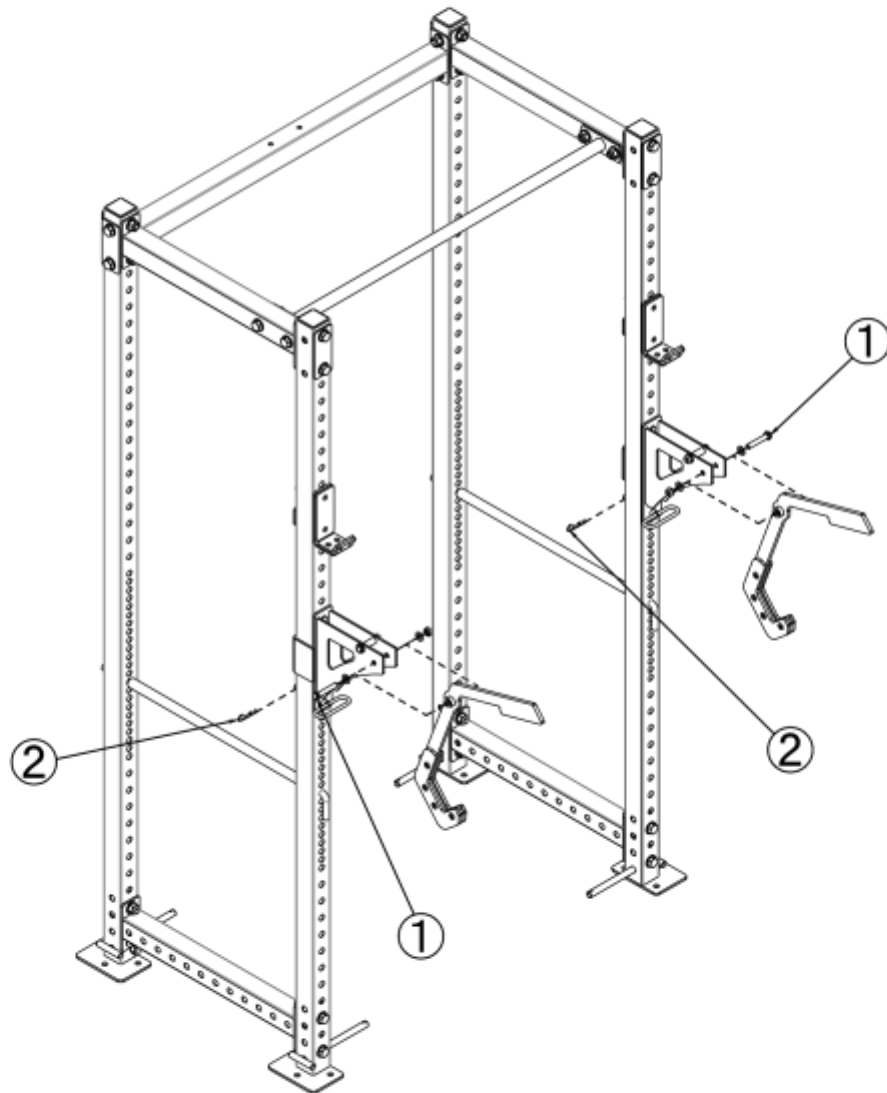


① M12 × 65 bolt, nut, washer  × 2	② $\varnothing 3 \times 60$ elastic cotter pin  × 2	③ $\varnothing 16$ pin  × 2	
---	---	---	--

1



2



(2)