

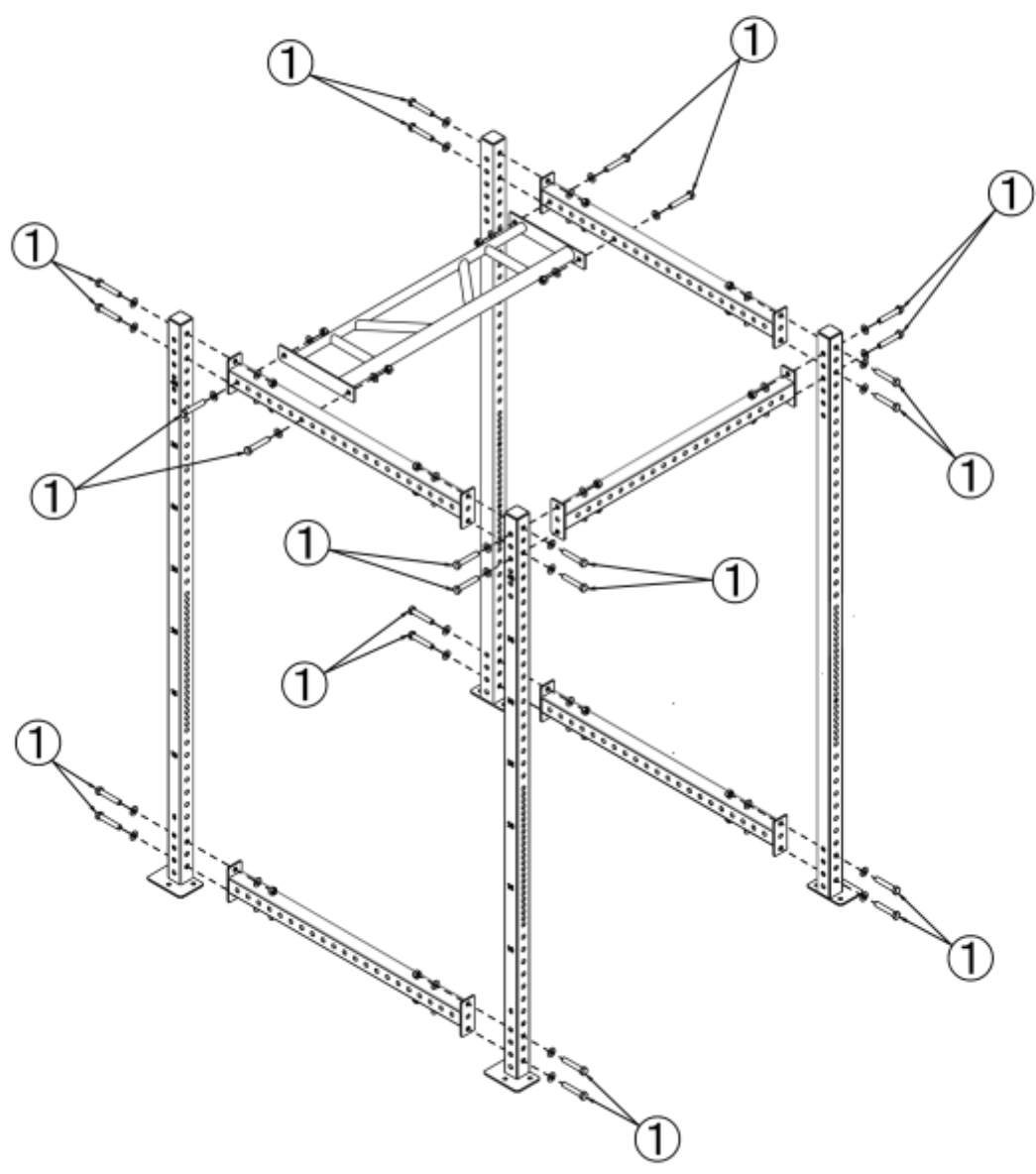
① M16 × 90 bolt, nut, washer

② M12 × 100 bulgy screw

③ ∅3x60 elastic cotter pin

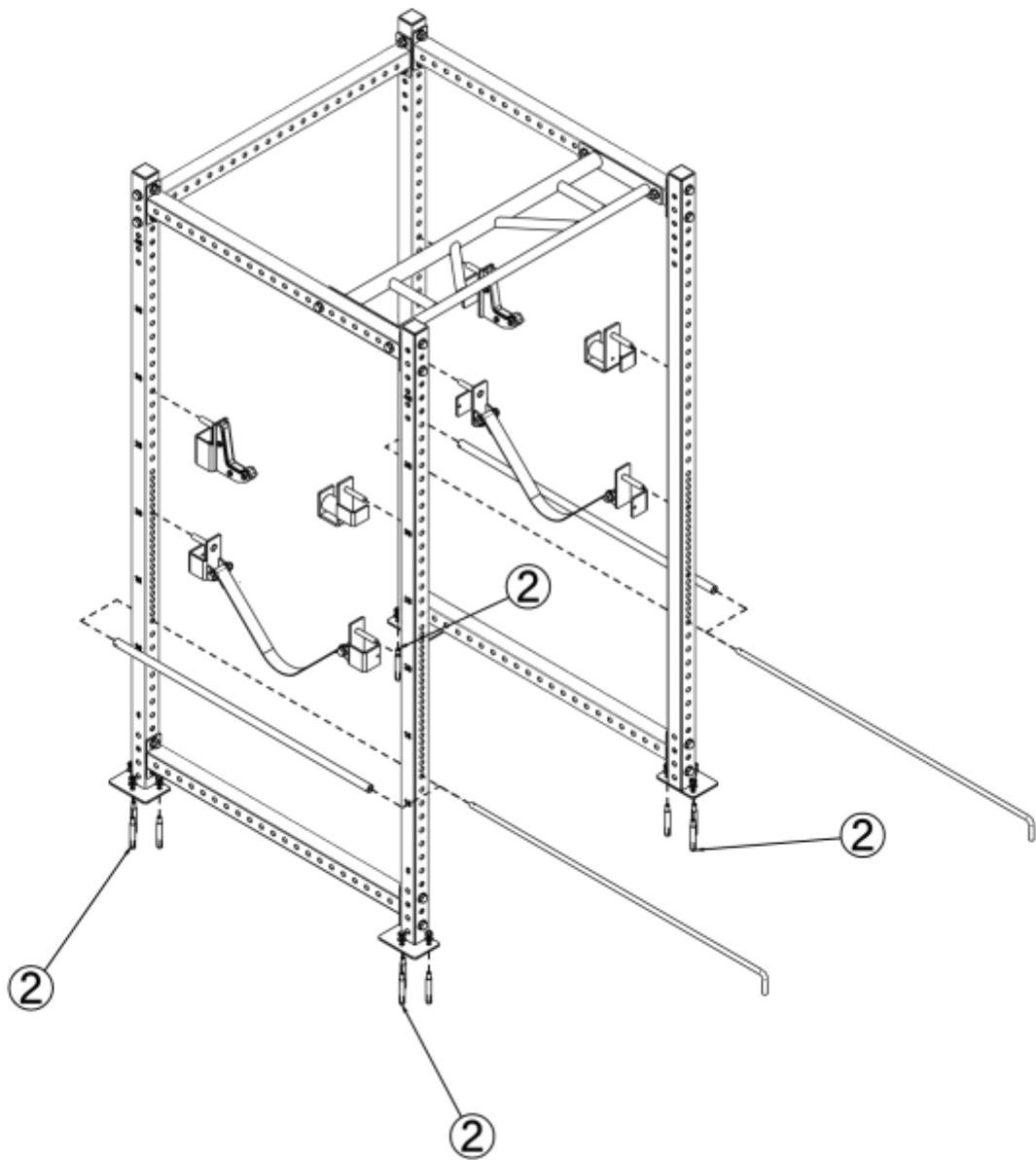


1

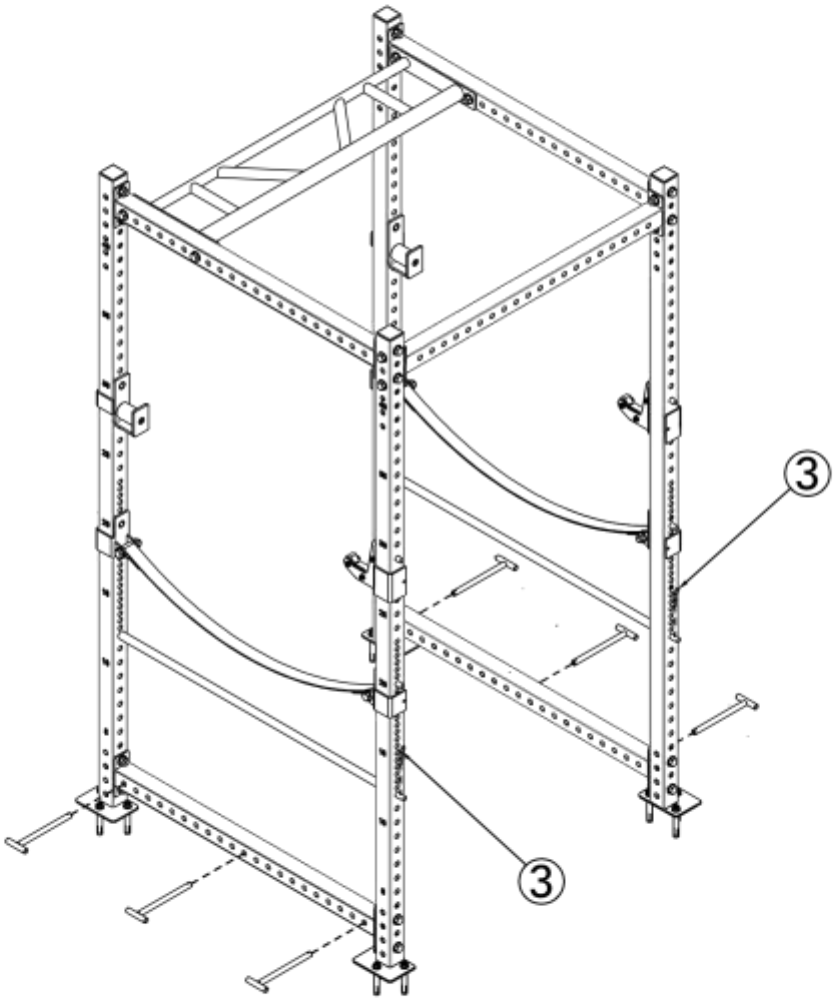


(1)

2



3



(3)