

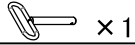
① M12 × 75 bolt, nut, washer



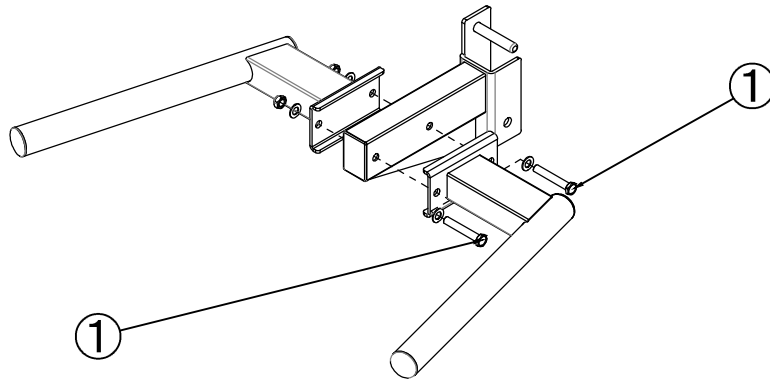
② $\varnothing 3 \times 60$ elastic cotter pin



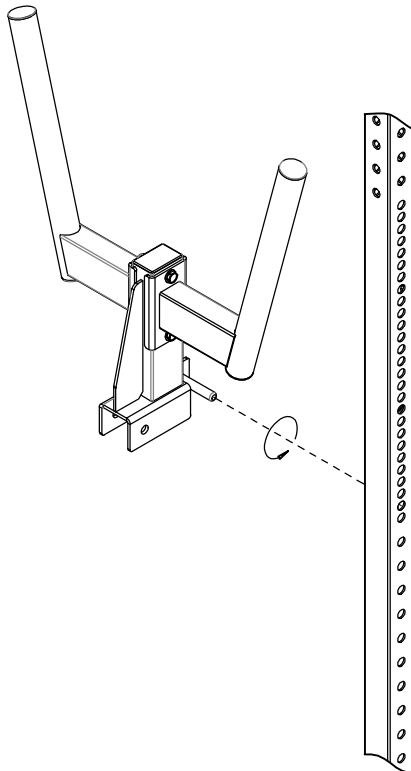
③ $\varnothing 16$ pin



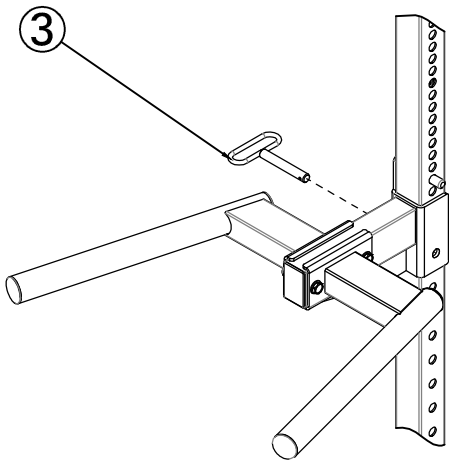
1



2



3



4

